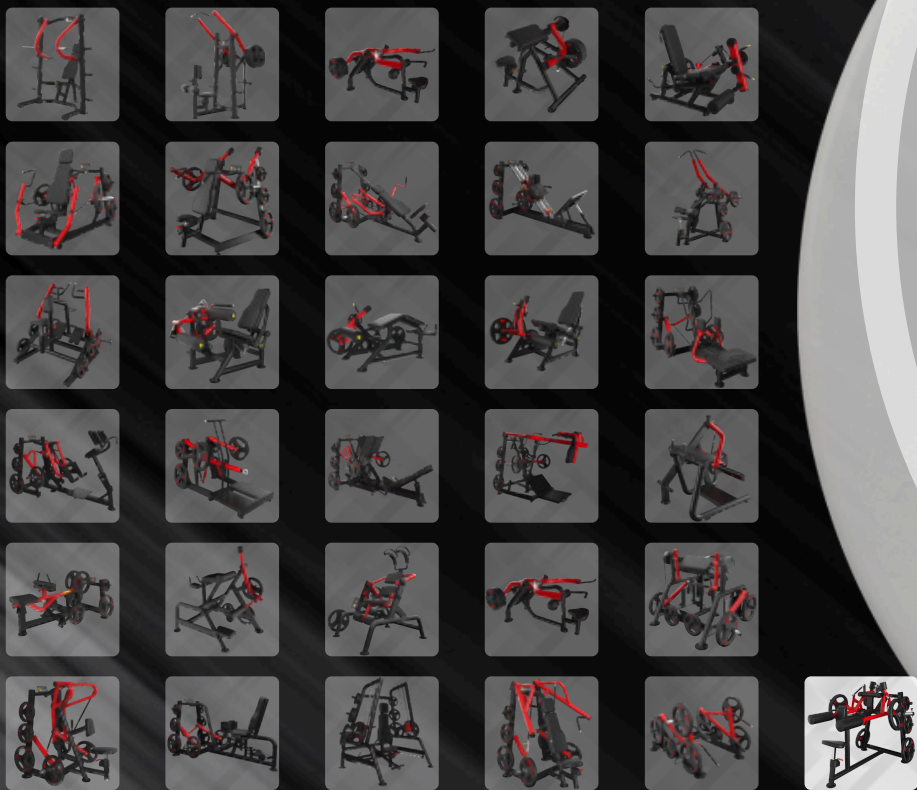


LATERAL RAISE (PL-PV2-LTR)



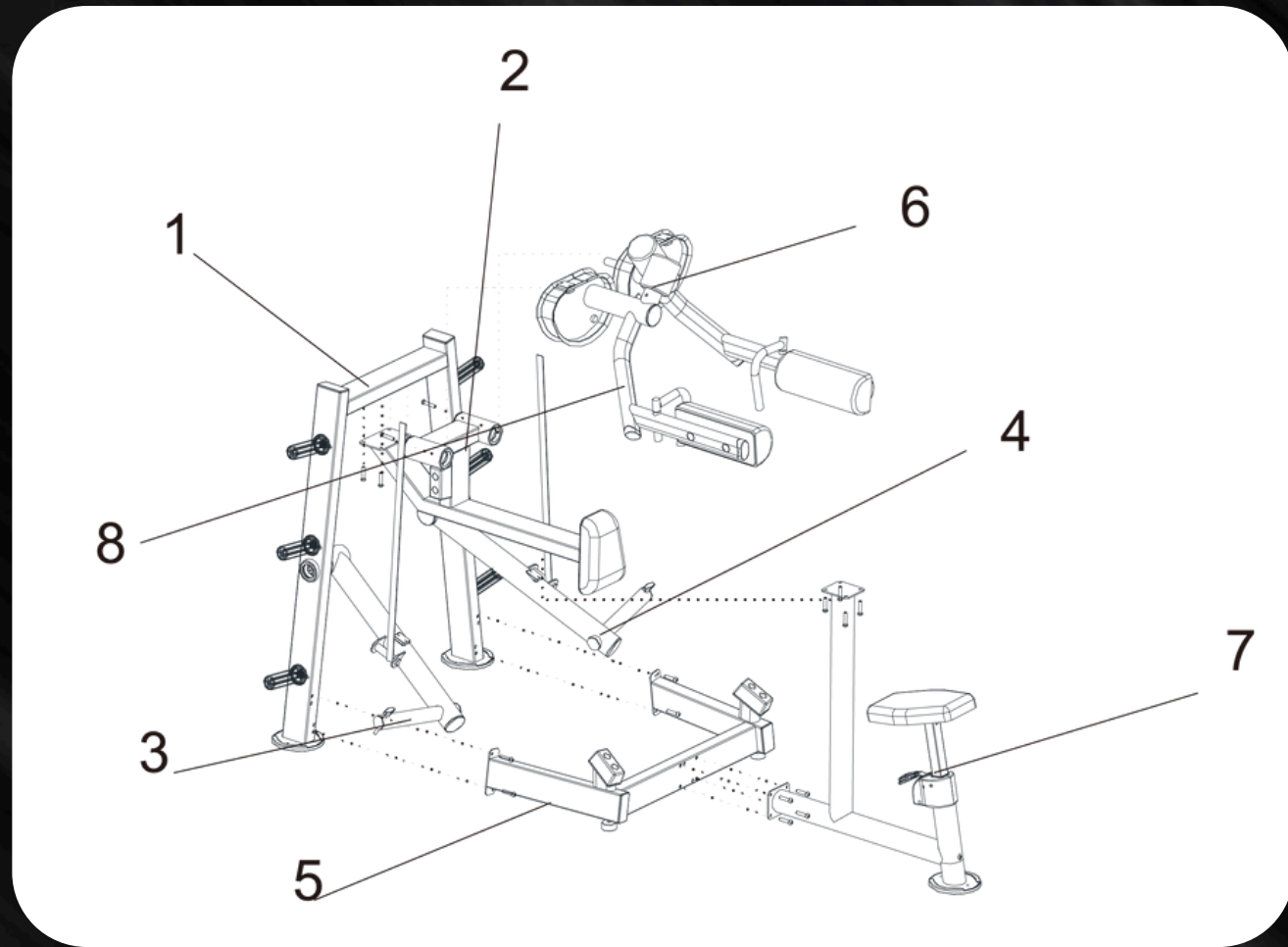
POWER LEVERAGE **V2**

INSTALLATION MANUAL

LATERAL RAISE (PL-PV2-LTR)




No.	Name	Unit	Qty.
1	main frame component	pcs	1
2	upper component	pcs	1
3	plate arm component 1	pcs	1
4	plate arm component 2	pcs	1
5	support component	pcs	1
6	pivot arm component 1	pcs	1
7	seating component	pcs	1
8	pivot arm component 2	pcs	1



INSTALLATION MANUAL

POWER
LEVERAGE **V2**

 www.muscledfit.com