

# CONVERGENT BENCH (PL-PV2-CB)



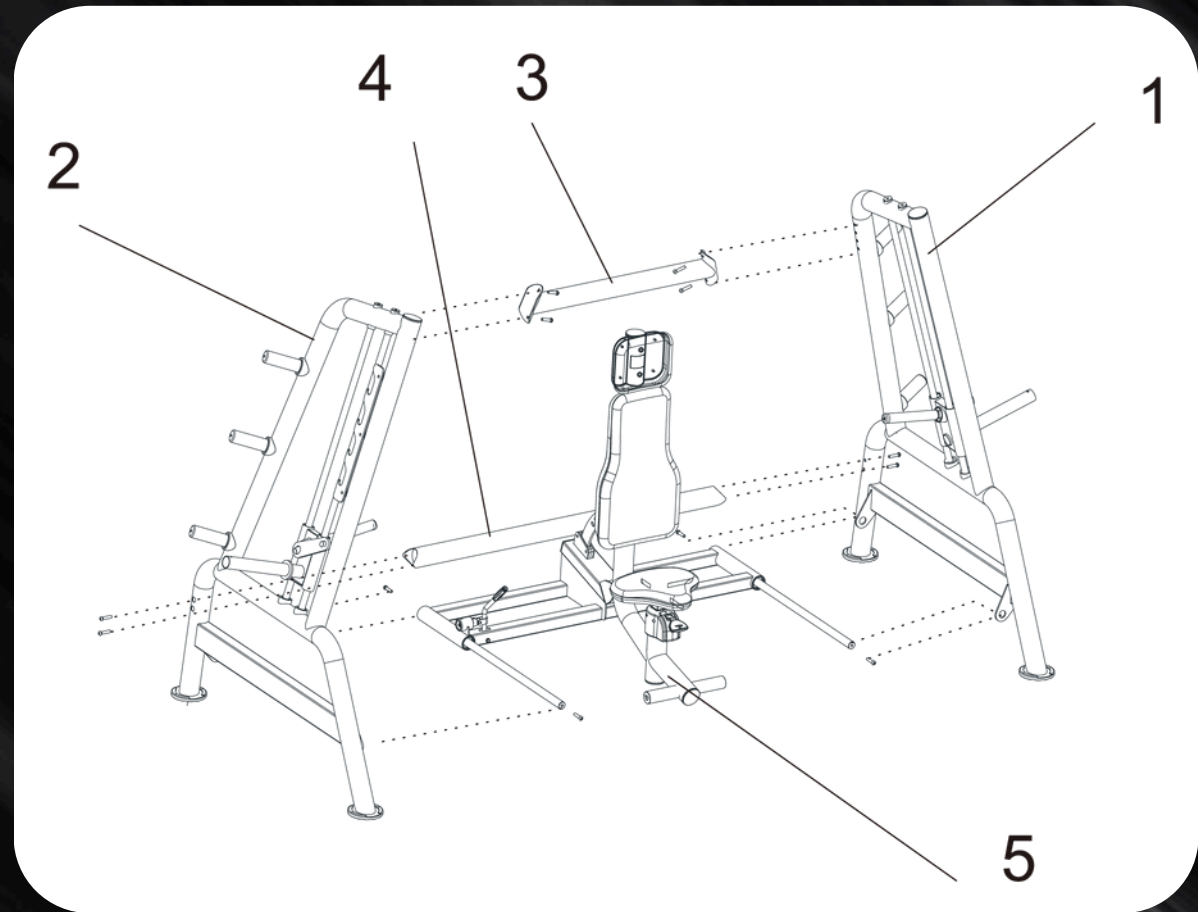
# POWER LEVERAGE **V2**

INSTALLATION MANUAL

# CONVERGENT BENCH (PL-PV2-CB)




| No. | Name                  | Unit | Qty. |
|-----|-----------------------|------|------|
| 1   | left frame component  | pcs  | 1    |
| 2   | right frame component | pcs  | 1    |
| 3   | Back connector        | pcs  | 1    |
| 4   | Bottom connector      | pcs  | 1    |
| 5   | seat component        | pcs  | 1    |



INSTALLATION MANUAL

POWER  
LEVERAGE **V2**

 [www.muscledfit.com](http://www.muscledfit.com)