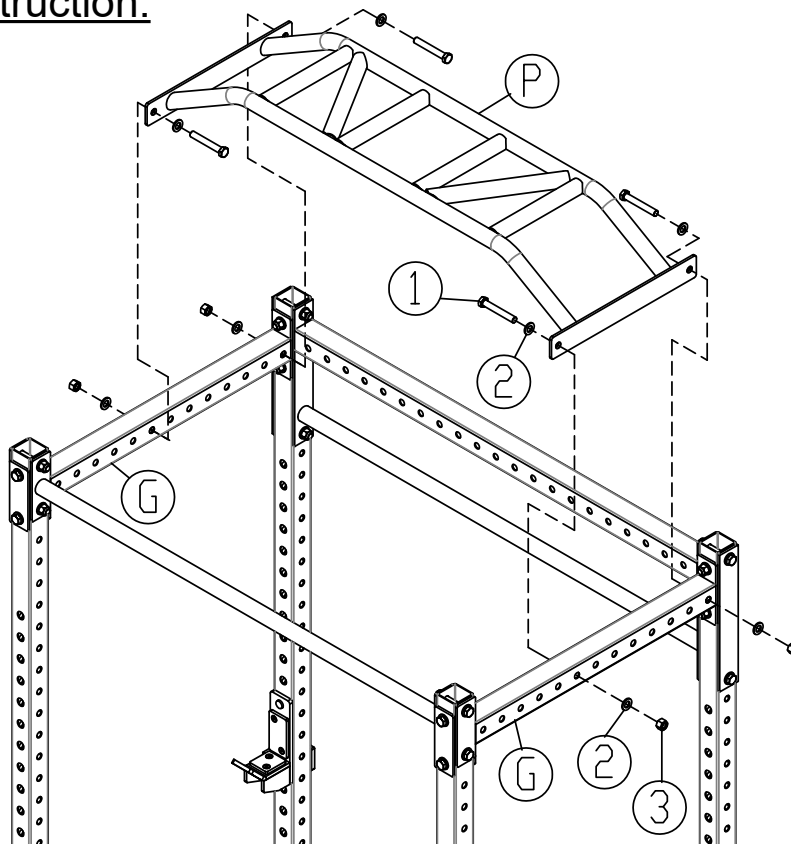


POWERLINE®

by *Body-Solid*

Model: PPRMCU

Installation Instruction:



Attach Multi Chin Up Bar (**P**) to Side Crossbars (**G**) using:

4 - (#1) M12x75mm Hex Head Bolt

8 - (#2) M12 Flat Washer

4 - (#3) M12 Nylon Lock Nut

For information about product operation or service, check out the official Powerline website at www.bodysolid.com or contact an authorized Powerline dealer or a Powerline factory-authorized service company or contact Body-Solid customer service at one of the following:

Toll Free: 1-800-556-3113

Phone: 1-708-427-3555

Fax: 1-708-427-3556

Email: service@bodysolid.com